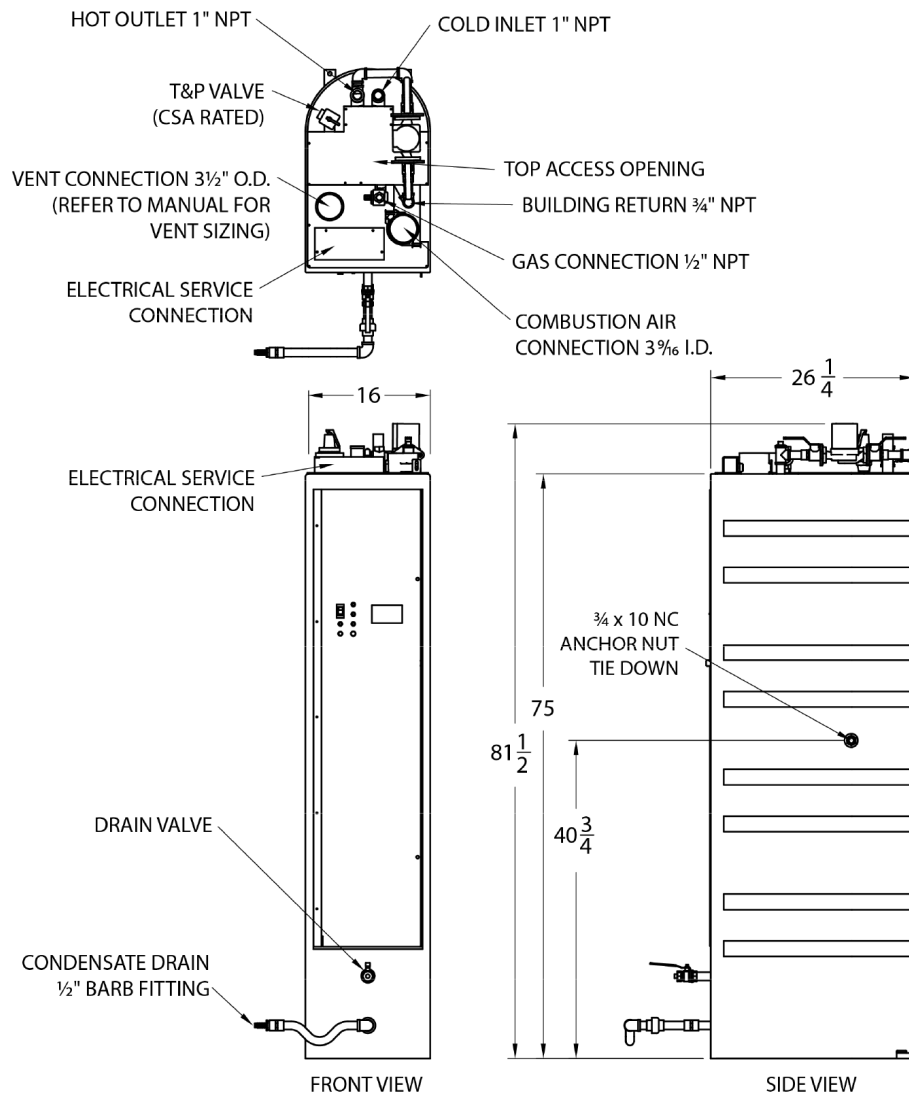


# Brigade<sup>®</sup> Gas Condensing Dynamic Water Heater

199 MBH • 25 Gal Buffer • AquaPLEX<sup>®</sup> Duplex Stainless Steel

Model ▼	Input (BTU)	Recovery (GPH) (Thermal Efficiency)		Gas Connection (NPT)*	Vent Diameter*	Operating Weight (lbs)
		70°F to 140°F <sup>①</sup>	40°F to 140°F <sup>②</sup>			
20 L 25-RGC	199,000	329 (96%)	233 (97.5%)	1/2	3" @ 100 eq. ft.	555

① Recoveries and thermal efficiency based upon DOE 10 CFR 431 testing per ANSI Z21.10.3 @ 70°F to 140°F.  
 ② Recoveries and thermal efficiency based upon 40°F entering water temperature.  
 Dimensions are in inches unless otherwise indicated.  
 For standard and optional equipment, refer to form PV 8693.  
 Empty weight is 348 pounds and shipping weight is 440 pounds.



<b>Standard Electrical Service</b>
120VAC, 1Ø, 60 Hz, 5 amps.
<b>Venting</b>
Use a Category IV PVC, CPVC or ETL, UL, ULC or CSA listed stainless steel or Centrotherm InnoFlue SW Polypropylene vent, minimum vent length 5 eq. feet. Do not size vent based only upon connection diameter at the appliance. Refer to installation manual for sizing requirements.
<b>Inlet Combustion Air Duct</b>
Up to 100 eq. ft. using 3" PVC or galvanized vent pipe. Longer lengths are ETL listed through larger diameter pipe. Refer to installation manual.
<b>Gas Pressure - Natural</b>
Minimum inlet flow pressure 3.5" W.C. Maximum static pressure 14.0" W.C. For LP gas, refer to installation manual.
<b>Minimum Clearance from Combustibles</b>
Zero (0") clearance from sides and rear, and 8" from top. 3" from front of unit for closet installation. Can be installed directly on a combustible floor.
<b>Recommended Service Clearances</b>
18" from all sides, top and front. Check local and national codes for additional clearance requirements.
<b>Emissions</b>
< 20 ppm NOx

\*Do not size the entire length of gas pipe or vent based only upon connection size at the appliance. Refer to the installation manual for proper sizing.

PVI reserves the right to change the design and specification without notice.

