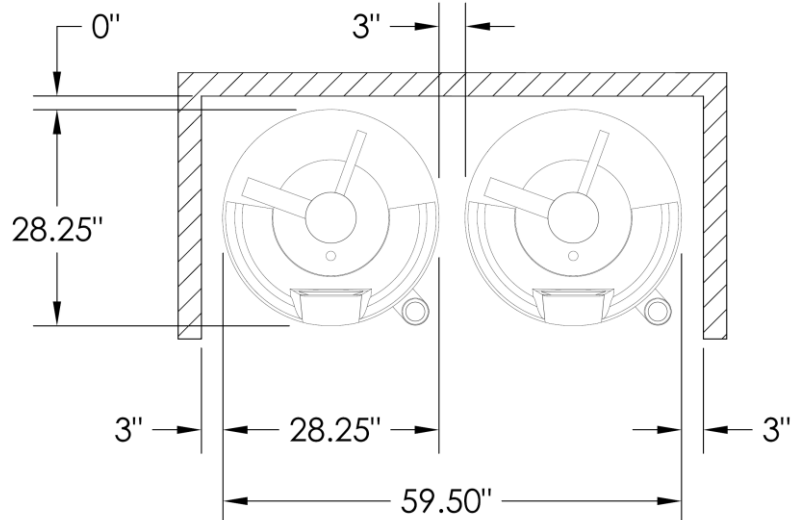
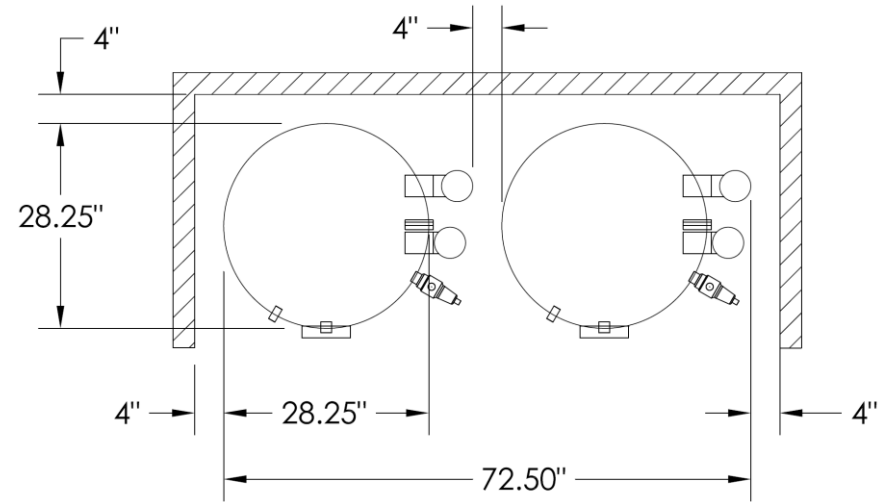


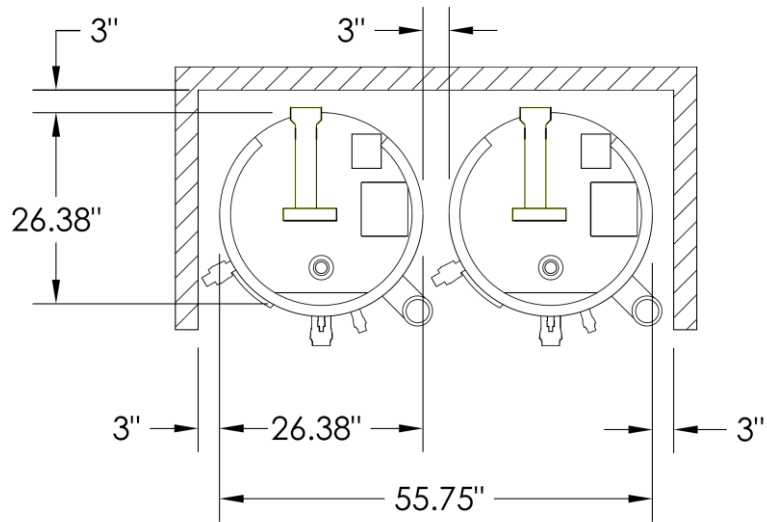
Brigade's Footprint vs. The Other Competing Giants!



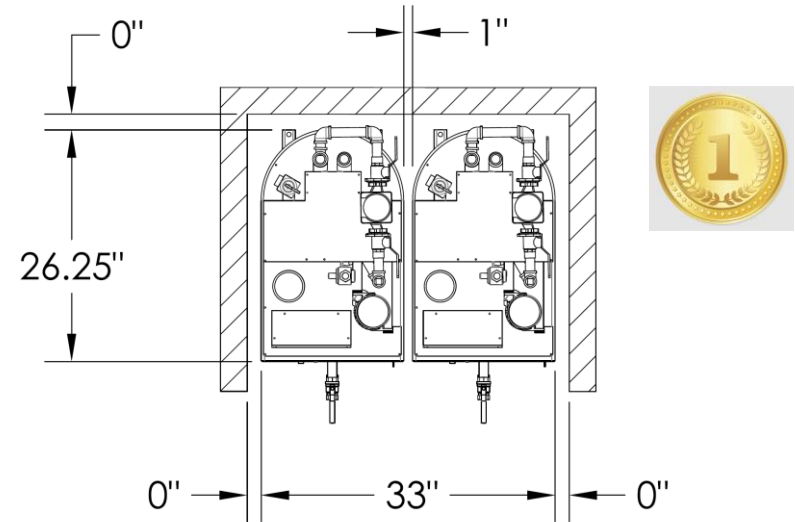
AO Smith Cyclone - 114% Larger than the Brigade*



Bradford White eF - 200% Larger than the Brigade*



Rheem Triton - 109% Larger than the Brigade*



PVI Brigade – Twice the input in half the footprint!

*The source for the information and visual aids above can be found at the following links:
<https://www.hotwater.com/Water-Heaters/Commercial/Water-Heaters/Gas/Cyclone/Cyclone-Mxi/>
<https://www.bradfordwhite.com/professionals/usa-commercial-gas/ef-series-ultra-high-efficiency-models-ef>
https://www.rheem.com/innovations/innovation_commercial/triton/